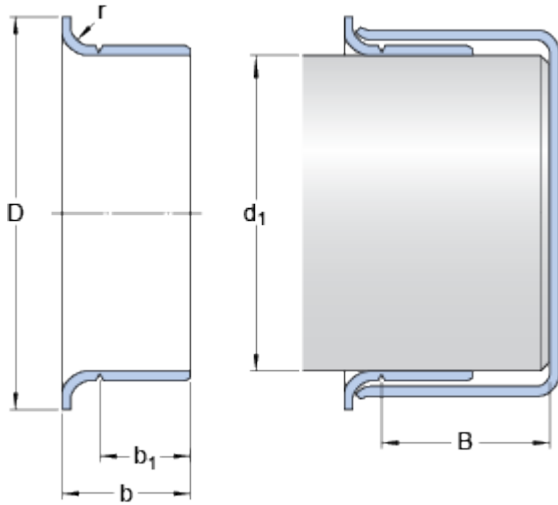


99787

Dimensions



Nominal dimensions

d_1		200.025	mm
D		212.725	mm
Tolerance outside diameter D	\pm	1.6	mm
b		38.1	mm
Tolerance width b	\pm	0.8	mm
b_1		34.519	mm
Tolerance width b_1	\pm	0.8	mm
B	max.	44.45	mm
r	max.	3.18	mm

Shaft diameter range

d_1	min.	199.873	mm
d_1	max.	200.152	mm